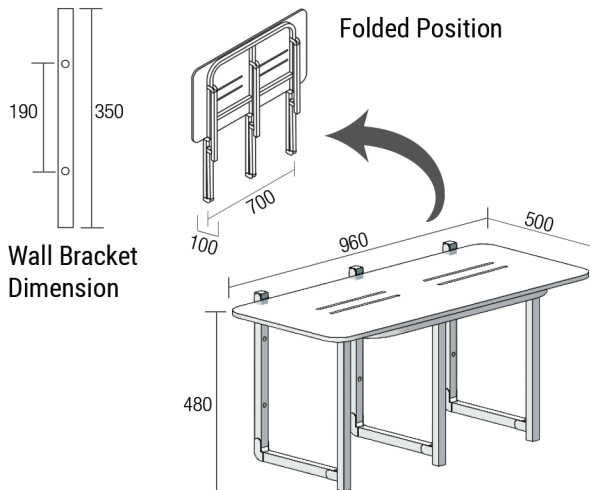


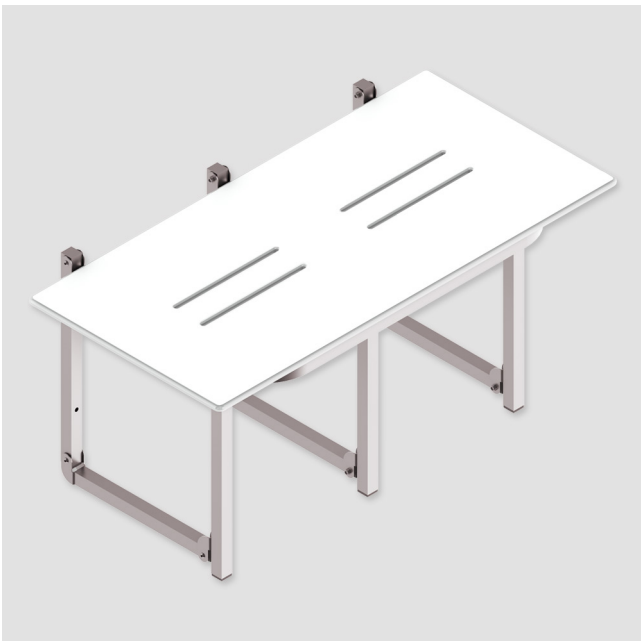
PRODUCT INFORMATION

DIMENSIONS



Bariatric seat - Designed for heavier loads

INDICATIVE IMAGE



BARIATRIC SHOWER SEAT

Product Code - Finish

- SS 965 SS - Satin Supreme™

Features

- 960 mm x 500 mm x 480 mm folding shower seat
- Reinforced for bariatric requirements
- Maximum load 200 Kg
- Mount seat deck 470 mm to 480 mm above finished floor level
- Fabricated from 304 stainless steel
- Polar White slip resistant UV stabilised HDPE rounded edge seat deck with self-draining channels
- Stainless steel fixings screws supplied
- Satin Supreme™ finish

Compliance

- Complies with the minimum design, strength and dimension requirements of AS 1428.1-2009



Warranty

See Con-Serv warranty policy for full details.

CON-SERV CORPORATION AUSTRALIA PTY. LTD.

17 Glentanna Street, Kedron · Qld. 4031 Australia

Phone: +61 (0)7 3630 5744 · Fax: +61 (0)7 3630 5755 · Email: mail@con-serv.com.au · www.con-serv.com.au