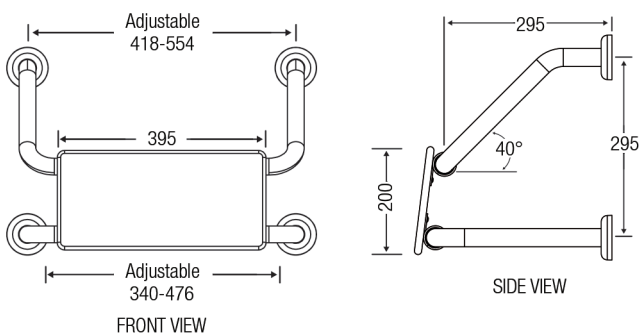
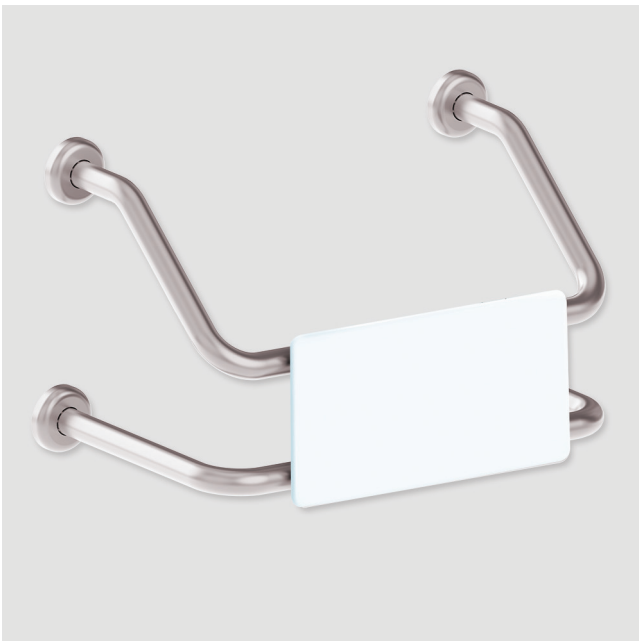


PRODUCT INFORMATION

DIMENSIONS



INDICATIVE IMAGE



PWD BACKREST

Product Code - Finish

- BR 400 SS CF - Satin Supreme™

Product Code - Other Finishes

- BR 400 PS CF - Polish Supreme™

Features

- WC support device for disabled, aged and the infirmed
- Suits single PWD cubicle with either conventional or wall faced pans
- Suits combined PWD compartment featuring WC and shower recess grab rail
- Polar White UV stabilised HDPE rounded edge back support
- 78 mm pre-formed domed CLAM® flange
- Fabricated from 32mm 304 stainless steel
- Stainless steel fixing screws supplied
- Satin Supreme™ finish
- Patent Number 2010101409

Compliance

- Complies with clause 15.2.4 of AS 1428.1-2009 for sanitary facilities



Warranty

See Con-Serv warranty policy for full details.

CON-SERV CORPORATION AUSTRALIA PTY. LTD.

17 Glentanna Street, Kedron · Qld. 4031 Australia

Phone: +61 (0)7 3630 5744 · Fax: +61 (0)7 3630 5755 · Email: mail@con-serv.com.au · www.con-serv.com.au