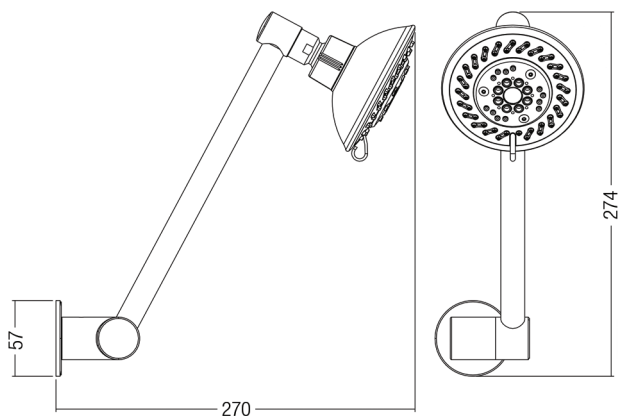


PRODUCT INFORMATION

DIMENSIONS



INDICATIVE IMAGE



BREEZE/CLICKLOCK™ ARM

Product Code - Finish

- OH 001D WTG - White/Gold

Product Code - Other Finishes

- OH 001D C - Chrome
- OH 001D WTC - White/Chrome
- OH 001D CG - Chrome/Gold

Features

- ABS multi-function shower rose with rub-clean spray diffusor
- Brass 300 mm adjustable/orbital arm with flow INTERCHANGE® spigot
- Brass 57 mm wall flange
- White powder coat finish
- Gold plated ball joint, dress rings and end caps
- Soft, pulsating and bubble spray functions



Compliance

- Watermark AS/NZS 3662 WMKT 21147
- 3 Star - 9 L/min as per WELS licence number 0046

Warranty

See Con-Serv warranty policy for full details.

CON-SERV CORPORATION AUSTRALIA PTY. LTD.

17 Glentanna Street, Kedron · Qld. 4031 Australia

Phone: +61 (0)7 3630 5744 · Fax: +61 (0)7 3630 5755 · Email: mail@con-serv.com.au · www.con-serv.com.au